



The Best Choice

Medscope Minimally Invasive Surgery Medical Device

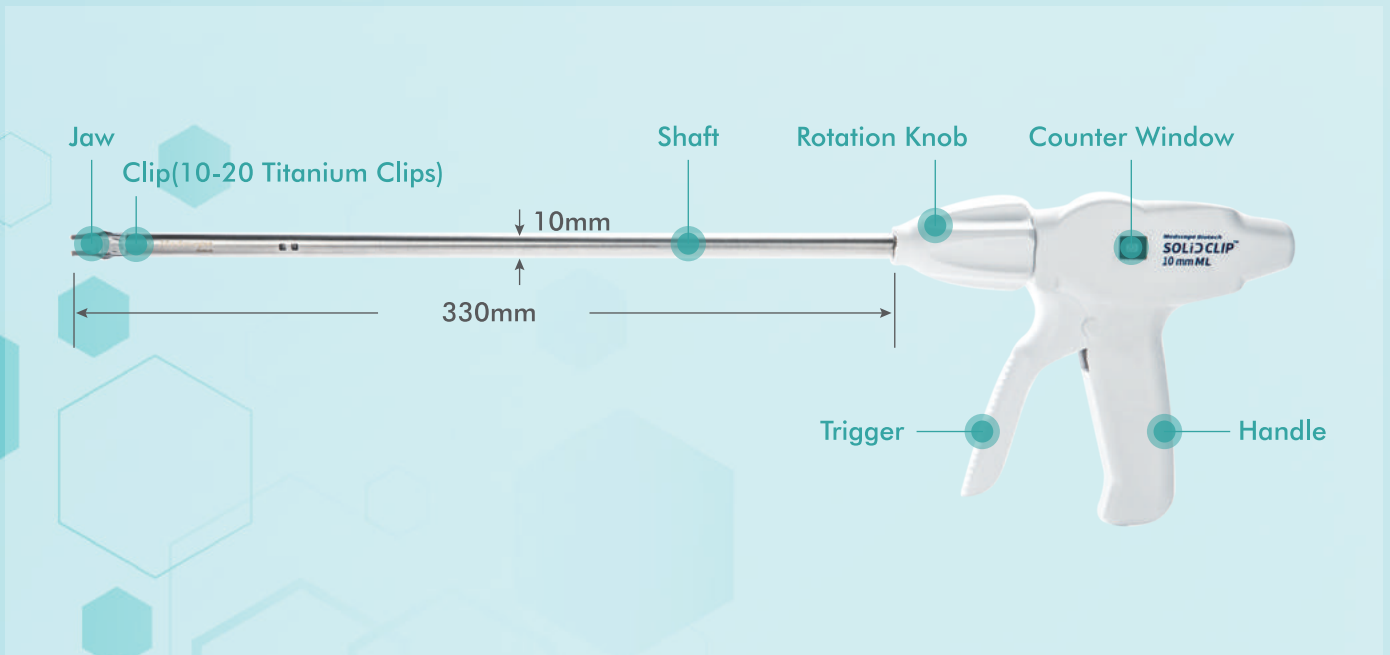


SOLID CLIP™

CA16 Series 10mm

Single Use Clip Applier

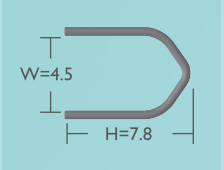
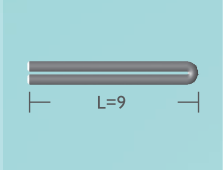
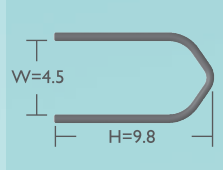
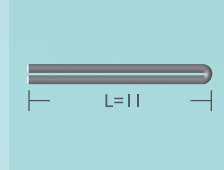
SOLID CLIP™ applier is a disposable single-use sterile surgical instrument which provides the modern minimally invasive surgery a best occlusion solution



Specification

| Model No. | Shaft Diameter | Clip Size | Number of Clips | Packaging |
|-----------|----------------|--------------|-----------------|--------------------------|
| CA165 | 10mm | Large | 10 | 5pcs/box, 4 boxes/carton |
| CA166 | 10mm | Large | 15 | 5pcs/box, 4 boxes/carton |
| CA167 | 10mm | Medium/Large | 15 | 5pcs/box, 4 boxes/carton |
| CA168 | 10mm | Medium/Large | 20 | 5pcs/box, 4 boxes/carton |
| CA169 | 10mm | Medium/Large | 10 | 5pcs/box, 4 boxes/carton |

Clip Dimensions

| Dimension Unit : mm | Clip Size | | Medium / Large Size (ML) | | Large Size (L) | |
|------------------------|-----------|-----|---|---|---|---|
| | (ML) | (L) | Unit : mm | | Unit : mm | |
| W | 4.5 | 4.5 |  |  |  |  |
| H | 7.8 | 9.8 | | | | |
| L | 9 | 11 | | | | |

Features

Jaw Design



- 15° slop design for better visibility

Jaw Design



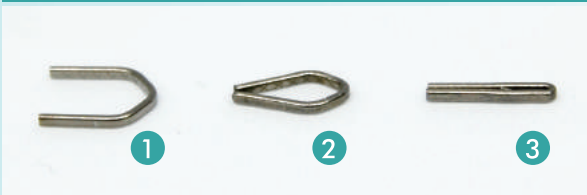
- Anti-drop design of the Jaw

Clip Design



- Inner-crossed pattern of the clip offers a firm hold on the vessel

Clip Design



- The closing feature of the clip can provide a proper occlusion of vessel

Clip Material



- Implantable CP Gr.1 titanium clips.
The compositions is ASTM F67 Standard Compliant

Clip Counter Window



- Preload 10~20 titanium clips
- The yellow block shown means that there are 5 clips left in this product. "0" means that there are ZERO clips in the product and the trigger cannot be squeezed



Rotation Knob



- The rotation knob can make the shaft rotating 360° in either direction

Handle



- Ergonomic handle is designed to be squeezed easily and the clips are fired smoothly

Trigger



- Anti-slip design of the trigger
- Anti-fire design of the trigger when running out of the clips

SOLID CLIP™



Medscope Laparoscopy



Medscope Biotech Co., Ltd.

2F, No. 8, Keyi Street, GuangYuan Technology Park, Zhunan Town, 35059 Miaoli County, Taiwan

Tel: +886 (037) 580055 Fax: +886 (037) 585050

E-mail: globalsales@medscope.com.tw

www.medscope.com.tw