

EasySpec® XS

1211

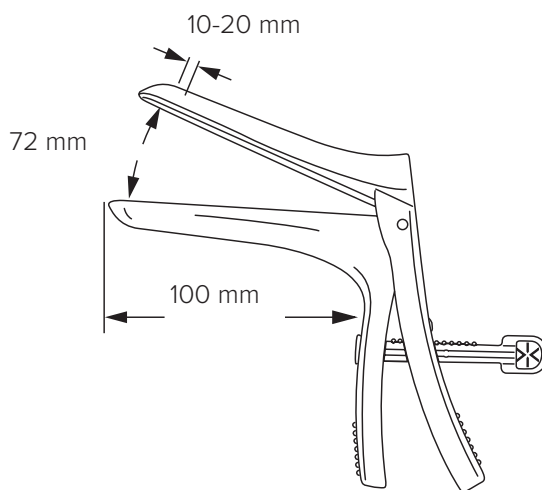


EasySpec® XS

EasySpec® is a non sterile disposable vaginal speculum. The EasySpec Small has smooth, rounded edges with high proven quality. The special low friction surface makes insertion easy and more comfortable for the patient. After insertion the EasySpec can be locked at the correct angle by adjusting the silent locking device. The EasySpec range includes Xsmall, small, medium, large and Xlarge in non sterile packaging. Also available as sterile products.

- Easy and safe to use
 - A silent and safe lock
 - Low friction surface for easy insertion
 - Smooth, rounded ends for patients comfort
 - Proven high quality and strength
 - Ridged handle for a good grip
 - Low risk of pinching
 - Optimum opening width
- Melting Temperature: 100 °C
 - Not autoclaveable
 - Latex free

Material Polystyrene crystal, Polyethylene HD



ARTICLE NO.	PRODUCT	DEPT. PACKAGING	TRANSP.PACKAGING	TRANSP.PACKAGING
1211	23 g	25 pcs	150 pcs	6 kg

